

## Pico-ITX Series

### VIA

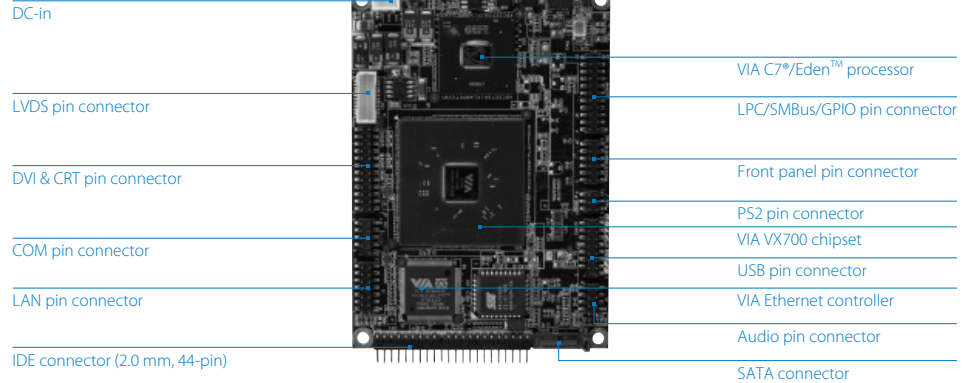
# EPIA-P700

Pico-ITX C7®/Eden™ ULV Board with MPEG-2, WMV9 and CRT/DVI/LVDS/DC-in Support

## Features

- Integrated VIA UniChrome™ Pro II 3D/2D AGP graphics with MPEG-2 and WMV9 decoding acceleration
- Supports DDR2 533/667 SDRAM (SODIMM)
- Supports one IDE and one SATA
- Supports one Gigabit Ethernet, or manufacturing option for 10/100 Mbps Ethernet
- Supports CRT, DVI, LVDS display
- Supports one COM port
- Supports four USB 2.0 ports
- Supports HD audio
- Supports 12V DC-in
- Low profile design: All back panel I/O in pin header format except for the IDE and SATA connectors

## Board Placement

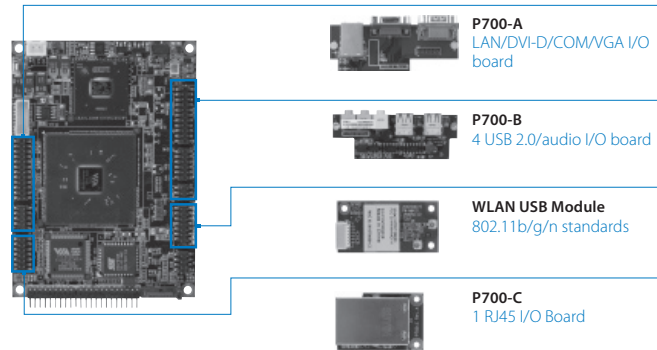


## Specifications

Model Name	EPIA-P700-10L	EPIA-P700-05LE
<b>Processor</b>	1.0GHz VIA C7®	500MHz VIA Eden™ ULV
<b>Chipset</b>	VIA VX700 Unified Digital Media IGP chipset	
<b>System Memory</b>	1 x DDR2 533/667 SODIMM socket (effective speed to 533MHz) Up to 1GB memory size	
<b>VGA</b>	Integrated VIA UniChrome™ Pro II 3D/2D AGP graphics with MPEG-2 and WMV9 video decoding acceleration	
<b>Onboard IDE</b>	1 x UltraDMA 133/100 pin connector (2.0 mm 44-pin right-angle type)	
<b>Onboard Serial ATA</b>	1 x SATA connector 1 x SATA power connector (5V)	
<b>Onboard LAN</b>	1 x VIA VT6122 Gigabit LAN controller (a connector board is suggested) 1 x VIA VT6107 10/100 Mbps Fast Ethernet controller (manufacturing option)	
<b>Onboard Audio</b>	VIA VT1708B High Definition Audio Codec	
<b>Onboard I/O Connectors</b>	1 x LAN pin header 1 x CRT/DVI pin header 1 x COM port pin header 1 x CPU fan pin connector 1 x Audio pin connector for Line-out, Line-in, & Mic-in 1 x Front panel pin header 4 x USB 2.0 ports pin header 1 x PS2 mouse/keyboard pin header 1 x LVDS pin connector, for 18-bit single channel LVDS panel 1 x LPC/SM Bus/GPIO pin header (GPI x 2, GPO x 2) 1 x +12V DC-in 2-pin jack with lock	
<b>BIOS</b>	Award BIOS 4/8Mbit flash ROM	
<b>Operating System</b>	Windows XP, Windows Embedded CE, Windows Embedded Standard, Linux	
<b>System Monitoring &amp; Management</b>	Wake-On LAN, Keyboard Power-on, Timer Power-on System power management, AC power failure recovery Watch Dog Timer	
<b>Operating Temperature</b>	0°C ~ 50°C	
<b>Operating Humidity</b>	0% ~ 95% (relative humidity; non-condensing)	
<b>Form Factor</b>	Pico-ITX (10-layer) 10 cm x 7.2 cm	



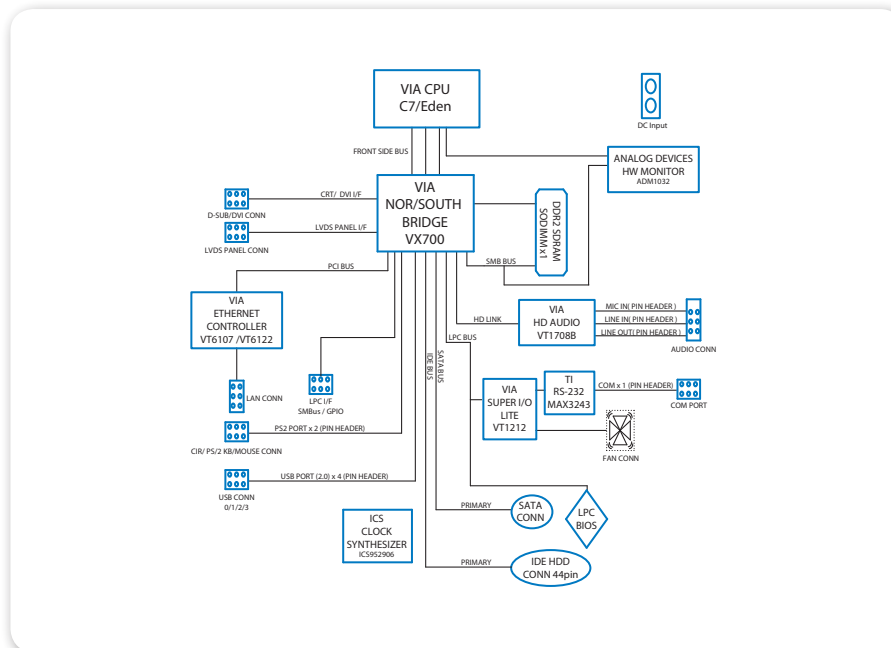
## Accessories



## Ordering Information

Model Name	CPU Frequency	Description
P700-10L	1.0GHz C7®	Pico-ITX Board with 1.0GHz C7® CPU, DVI, VGA, LVDS, GigaLAN, COM, USB, IDE & SATA
P700-05LE	500MHz Eden™ ULV	Pico-ITX Board with 500MHz Eden™ ULV CPU, DVI, VGA, LVDS, GigaLAN, COM, USB, IDE & SATA

## Block Diagram



## Packing List

Items
1 x P700-A I/O board
1 x P700-B I/O board
1 x Driver CD
1 x DC-in cable
1 x 5V SATA power cable
1 x IDE cable
1 x SATA cable